



The new generation of energy saving tube lighting

MASTER LEDtube Performance

The Philips MASTER LEDtube integrates a LED light source into a traditional fluorescent form factor. Its unique design creates a perfectly uniform visual appearance which cannot be distinguished from traditional fluorescent. The MASTER LEDtube Performance is the ideal solution for customers which have higher light requirements and the want to maximize value over lifetime.(need the longest lifetime). Full energy savings and TCO benefits.

Benefits

- Reduced operational cost thanks to lower energy consumption
- Lower maintenance cost thanks to 2-3 times longer lifetime than normal fluorescent tubes
- Fastest and easiest way to upgrade existing luminaire to LED technology; 100%- safe installation process

Features

- Only 50% energy consumption compared to fluorescent tubes
- Extra-long life of 40,000 hours
- Retrofit to existing T8 lamps on EM ballast installations
- Full safety features and EM Protector safety device
- No mercury

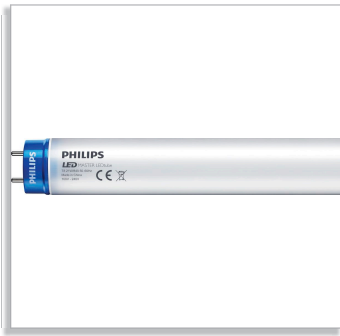
Application

- Parking lots / covered car parks
- Warehouses / coldrooms / signage
- Transport and distribution areas

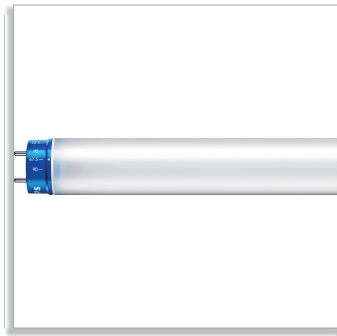


PHILIPS

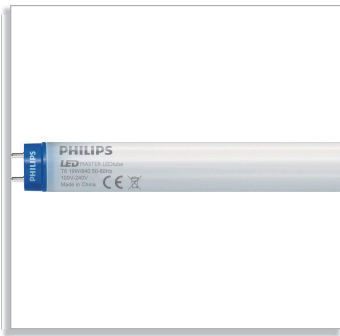
Related products



MASTER LEDtube Performance

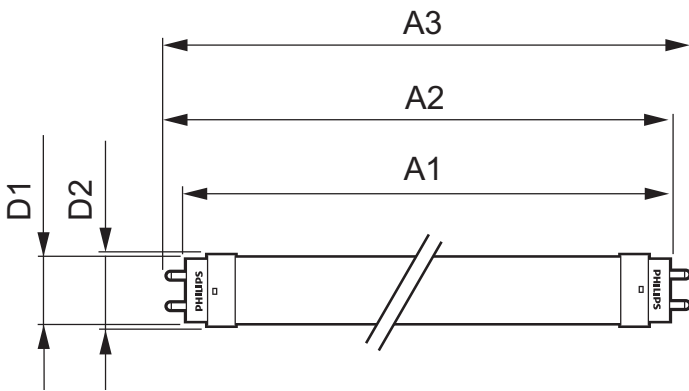


MASTER LEDtube Performance



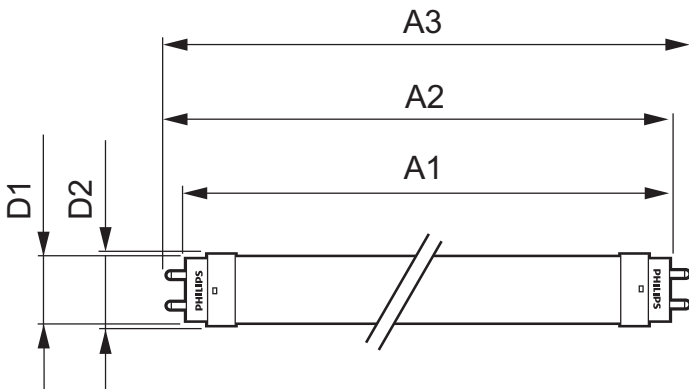
MASTER LEDtube GA300 Performance

Dimensional drawing



MASTER LEDtube PERF 600mm 10.5W830 T8 I ROT

Product	A1 (Norm)	A2 (Norm)	A3 (Norm)	D1 (Norm)	D2 (Norm)
TLED PERF 600mm 10.5W830 T8 I ROT	588.5	595.5	602.5	25.68	28
TLED PERF 600mm 10.5W840 T8 I ROT	588.5	595.5	602.5	25.68	28
TLED PERF 600mm 10.5W865 T8 I ROT	588.5	595.5	602.5	25.68	28
TLED PERF 1200mm 21W830 T8 I ROT	1198.0	1205.0	1212.0	25.68	28
TLED PERF 1200mm 21W840 T8 I ROT	1198.0	1205.0	1212.0	25.68	28
TLED PERF 600mm 10.5W840 T8 I ROT	588.5	595.5	602.5	25.68	28
TLED PERF 1200mm 21W840 T8 I ROT	1198.0	1205.0	1212.0	25.68	28



Dimensional drawing

MASTER LEDtube GA300 1800mm 45W 840 C

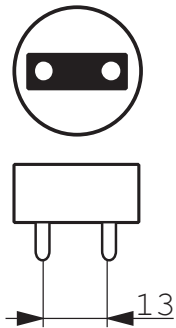
Product	A (Norm)	A1 (Norm)	A2 (Norm)	A3 (Norm)	B (Min)	B (Norm)	B (Max)	D (Min)	D (Norm)	D (Max)	D1 (Norm)	D2 (Norm)
LEDtube GA300 1800mm 45W 840 C	-	1763.8	1770.9	1778.0	-	-	-	-	-	-	25.68	28

General Characteristics

Order code	Full product name	Cap-Base	Rated Life-time (hours)
929000280432	MASTER LEDtube PERF 600mm 10.5W840 T8 C	G13	50000 hr
929000280532	MASTER LEDtube PERF 600mm 10.5W865 T8 C	G13	50000 hr
929000280732	MASTER LEDtube PERF 1200mm 21W840 T8 C	G13	50000 hr
929000280302	MASTER LEDtube PERF 600mm 10.5W830 T8 I ROT	G13	50000 hr
929000280602	MASTER LEDtube PERF 1200mm 21W830 T8 I ROT	G13	50000 hr

Order code	Full product name	Cap-Base	Rated Life-time (hours)
929000283802	MASTER LEDtube PERF 600mm 10.5W840 T8 I ROT	G13	50000 hr
929000283902	MASTER LEDtube PERF 1200mm 21W840 T8 I ROT	G13	50000 hr
929000298102	MASTER LEDtube GA300 1800mm 45W 840 C	G13	50000 hr

Installation diagrams



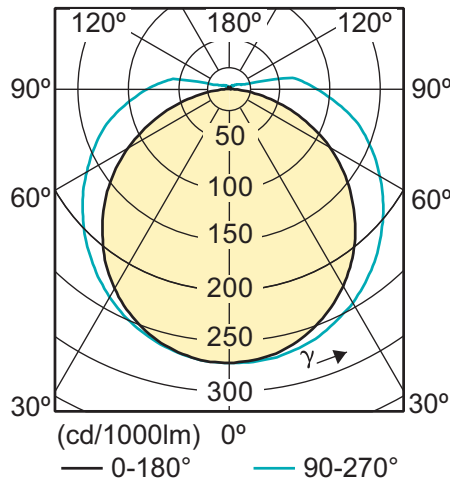
G13

Light Technical Characteristics

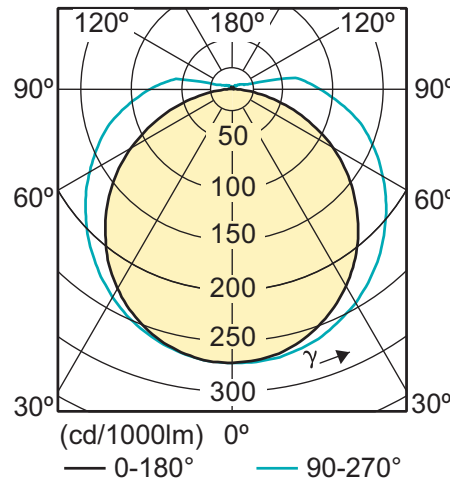
Order code	Full product name	Color Code	Beam Angle	Luminous Intensity	Color rendering index	Rated Luminous Flux	LLMF - end nominal life-time	Rated Beam Angle
929000280432	MASTER LEDtube PERF 600mm 10.5W840 T8 C	840	140 D	-	>80	1050 Lm	70 %	140 D
929000280532	MASTER LEDtube PERF 600mm 10.5W865 T8 C	865	140 D	-	85	1050 Lm	70 %	140 D
929000280732	MASTER LEDtube PERF 1200mm 21W840 T8 C	840	140 D	-	85	2100 Lm	70 %	-

Order code	Full product name	Color Code	Beam Angle	Luminous Intensity	Color rendering index	Rated Luminous Flux	LLMF - end nominal life-time	Rated Beam Angle
929000280302	MASTER LEDtube PERF 600mm 10.5W830 T8 I ROT	830	140 D	-	85	950 Lm	70 %	140 D
929000280602	MASTER LEDtube PERF 1200mm 21W830 T8 I ROT	830	140 D	-	85	1900 Lm	70 %	140 D
929000283802	MASTER LEDtube PERF 600mm 10.5W840 T8 I ROT	840	140 D	-	85	1050 Lm	70 %	140 D
929000283902	MASTER LEDtube PERF 1200mm 21W840 T8 I ROT	840	140 D	-	85	2100 Lm	70 %	140 D
929000298102	MASTER LEDtube GA300 1800mm 45W 840 C	840	140 D	cd	85	4000 Lm	70 %	140 D

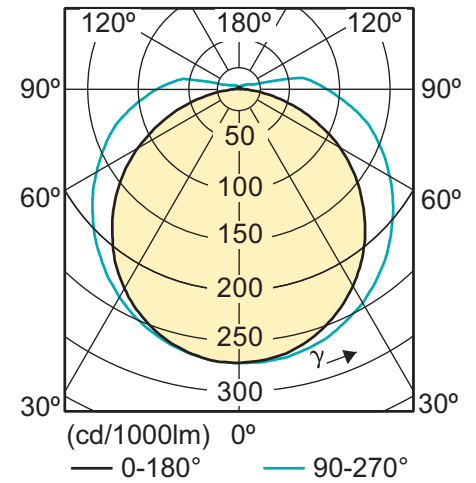
Light technical



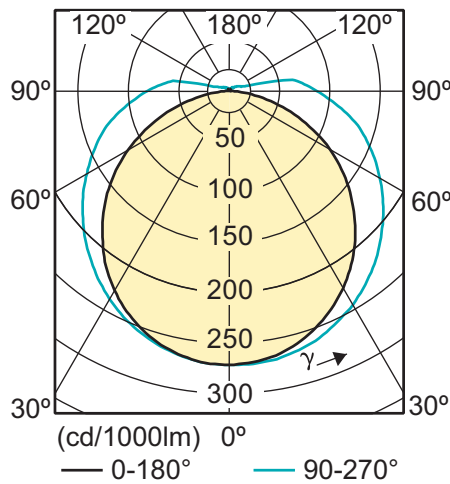
LEDtube PERF 10.5 W /830 600 mm T8 I ROT



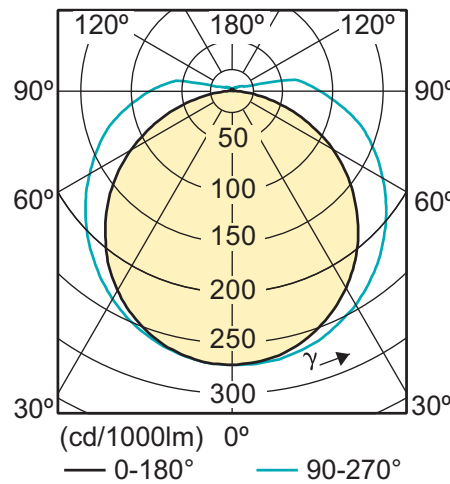
LEDtube PERF 10.5 W /840 600 mm T8 I



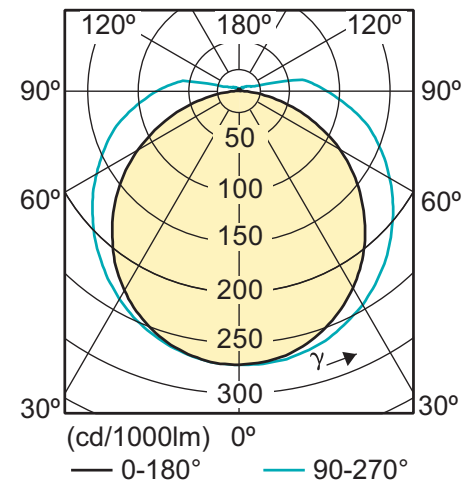
LEDtube PERF 10.5 W /865 600 mm T8 I



LEDtube PERF 21 W /830 1200 mm T8 I ROT

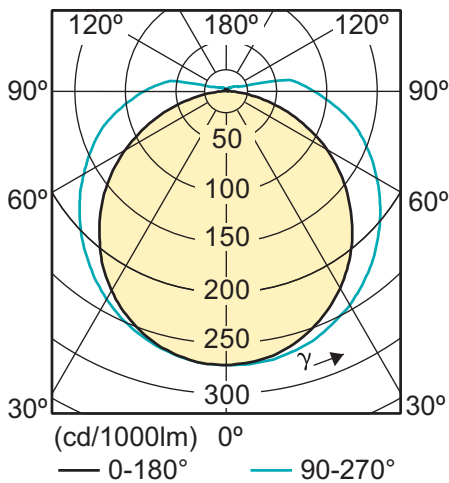


LEDtube PERF 21 W /840 1200 mm T8 I



LEDtube PERF 10.5 W /840 600 mm T8 I ROT

Light technical



LEDtube PERF 21 W /840 1200 mm T8 I ROT

Electrical Characteristics

Order code	Full product name	Wattage	Voltage	Line Frequency	Dimmable	Rated Wattage	Starting Time
929000280432	MASTER LEDtube PERF 600mm 10.5W840 T8 C	10.5 W	100-240 V	50/60 Hz	No	10.5 W	0.5 (max) s
929000280532	MASTER LEDtube PERF 600mm 10.5W865 T8 C	10.5 W	100-240 V	50/60 Hz	No	10.5 W	0.5 (max) s
929000280732	MASTER LEDtube PERF 1200mm 21W840 T8 C	21 W	100-240 V	50/60 Hz	No	21 W	0.5 (max) s
929000280302	MASTER LEDtube PERF 600mm 10.5W830 T8 I ROT	10.5 W	100-240 V	50/60 Hz	No	10.5 W	0.5 (max) s
929000280602	MASTER LEDtube PERF 1200mm 21W830 T8 I ROT	21 W	100-240 V	50/60 Hz	No	21 W	0.5 (max) s
929000283802	MASTER LEDtube PERF 600mm 10.5W840 T8 I ROT	10.5 W	100-240 V	50/60 Hz	No	10.5 W	0.5 (max) s
929000283902	MASTER LEDtube PERF 1200mm 21W840 T8 I ROT	21 W	100-240 V	50/60 Hz	No	21 W	0.5 (max) s
929000298102	MASTER LEDtube GA300 1800mm 45W 840 C	45 W	100-240 V	50/60 Hz	No	45 W	0.5 (max) s

Temperature Characteristics

Order code	Full product name	T-case maximum	Operating temperature	T-Storage
929000280432	MASTER LEDtube PERF 600mm 10.5W840 T8 C	-	-30 (min), 45 (max) C	-40 (min), 65 (max) C
929000280532	MASTER LEDtube PERF 600mm 10.5W865 T8 C	-	-30 (min), 45 (max) C	-40 (min), 65 (max) C
929000280732	MASTER LEDtube PERF 1200mm 21W840 T8 C	-	-30 (min), 45 (max) C	-40 (min), 65 (max) C
929000280302	MASTER LEDtube PERF 600mm 10.5W830 T8 I ROT	-	-30 (min), 45 (max) C	-40 (min), 65 (max) C
929000280602	MASTER LEDtube PERF 1200mm 21W830 T8 I ROT	-	-30 (min), 45 (max) C	-40 (min), 65 (max) C
929000283802	MASTER LEDtube PERF 600mm 10.5W840 T8 I ROT	-	-30 (min), 45 (max) C	-40 (min), 65 (max) C

Order code	Full product name	T-case maximum	Operating temperature	T-Storage
929000283902	MASTER LEDtube PERF 1200mm 21W840 T8 I ROT	-	-30 (min), 45 (max) C	-40 (min), 65 (max) C
929000298102	MASTER LEDtube GA300 1800mm 45W 840 C	85 (max) C	-30 (min), 45 (max) C	-40 (min), 65 (max) C

Environmental characteristics

Order code	Full product name	Energy Efficiency Label (EEL)	Energy consumption kWh/1000h
929000280432	MASTER LEDtube PERF 600mm 10.5W840 T8 C	A+	11 kWh
929000280532	MASTER LEDtube PERF 600mm 10.5W865 T8 C	A+	11 kWh
929000280732	MASTER LEDtube PERF 1200mm 21W840 T8 C	A+	21 kWh

Measuring Conditions

Order code	Full product name	Energy Efficiency Label (EEL)	Energy consumption kWh/1000h
929000280302	MASTER LEDtube PERF 600mm 10.5W830 T8 I ROT	A+	11 kWh
929000280602	MASTER LEDtube PERF 1200mm 21W830 T8 I ROT	A+	21 kWh
929000283802	MASTER LEDtube PERF 600mm 10.5W840 T8 I ROT	A+	11 kWh
929000283902	MASTER LEDtube PERF 1200mm 21W840 T8 I ROT	A+	21 kWh
929000298102	MASTER LEDtube GA300 1800mm 45W 840 C	A+	45 kWh

Order code	Full product name	Switching cycle
929000280432	MASTER LEDtube PERF 600mm 10.5W840 T8 C	50000X
929000280532	MASTER LEDtube PERF 600mm 10.5W865 T8 C	50000X
929000280732	MASTER LEDtube PERF 1200mm 21W840 T8 C	50000X
929000280302	MASTER LEDtube PERF 600mm 10.5W830 T8 I ROT	50000X
929000280602	MASTER LEDtube PERF 1200mm 21W830 T8 I ROT	50000X
929000283802	MASTER LEDtube PERF 600mm 10.5W840 T8 I ROT	50000X
929000283902	MASTER LEDtube PERF 1200mm 21W840 T8 I ROT	50000X
929000298102	MASTER LEDtube GA300 1800mm 45W 840 C	50000X



© 2015 Koninklijke Philips N.V. (Royal Philips)
All rights reserved.

Specifications are subject to change without notice. Trademarks are the property of Koninklijke Philips N.V. (Royal Philips) or their respective owners.

www.philips.com/lighting

2015, January 16
data subject to change